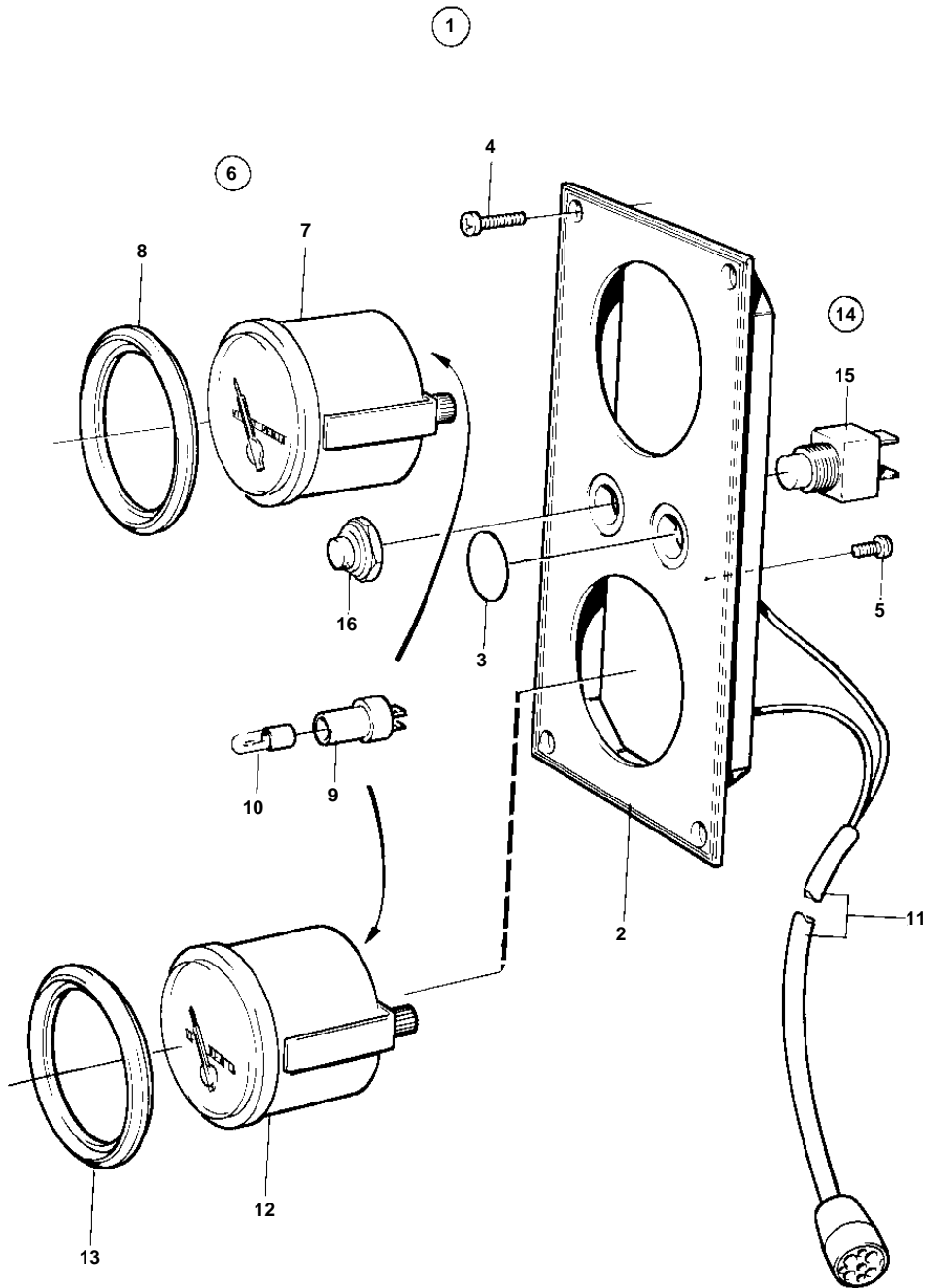


COMMON



6709

COMMON

REF	PART NO.	QTY	DESCRIPTION	NOTES
1	858874	1	Instrument panel	
2	858650	1	· Instrument panel	
3	828607	2	· Cover plate	
4	828647	4	· Screw	
5	949947	1	· Screw	
6	1140464	1	Hour counter kit	12V/24V
7	828615	1	· Hour counter	
8	858643	1	· Front ring	
9	808175	1	· Bulb socket	
10	19923	1	· Bulb	
11		1	· CABLES AND TERMINALS	SEE GROUP 3
12		1	INSTRUMENT	
13		1	FRONT RING	
14	828718	1	Switch	CLOSING DURING PRESSURE AND SPRING-LOADED.
	828719	1	Switch	CLOSING-BREAKING.
15	828584	1	· Switch	FOR 828718
	828585	1	· Switch	FOR 828719
16	828586	1	· Button	